

PONY NS2006L Energy

Niro Soavi presents the NS2006L Pony laboratory pilot homogenizer. It is fully equipped and capable of handling feeds with a range of viscosities at pressures of up to 1500 bar g. It is ideal for generating samples in small / medium quantities.



Compression Block

- Manufactured from high grade stainless steel alloys, the compression block engineered to maximize stress resistance and reliability at high operating pressure, with some design features of industrial machines
- Solid ceramic pumping pistons equipped with specially designed packing for very high pressure applications
- Suction and delivery ball valves (PVB) in special alloy, highly resistant to abrasion, with replaceable valve seats in Stellite®
- Sanitary design analog pressure gauge, with built-in pulsation damper
- Spring loaded overpressure relief valve

Homogenizing Valve

- Rupture type sharp-edge homogenizing valve in special abrasion and wear resistant material
- Manual pressure adjustment by means of a hand-wheel
- Second homogenizing stage included with flat profile homogenizing valve
- A range of different homogenizing valve types are available for both stages. The selection is dependent on the material that is to be processed.

Feeding System

- Stainless steel feed funnel (5 l capacity) with connecting pipework to the feeding pump (inclusive of 10 Mesh filter and Tri-clamp fittings) .
- Lobe type pump driven by a separate electric motor with built in Variable Speed Drive unit to adjust the feed pressure according to the product viscosity. All product contact parts are in AISI 316.
- By-pass valve for re-circulating the product into the funnel and pressure gauge to read the inlet pressure

Power End

- Three phase AC motor, IEC type and IP55
- Crank drive with splash lubrication

Casing

- Made in polished AISI304 stainless steel, completely removable for maintenance and cleaning, with galvanized steel base frame
- The machine is mounted on castors for easy handling

Control Panel

- Electric Power Board in plastic box (IP55 protection) located inside the machine casing. Assembled according to IEC standards
- Start/Stop push buttons for homogenizer and feed pump,
- Emergency stop and pump speed adjustment are located on the front panel of the machine

PONY

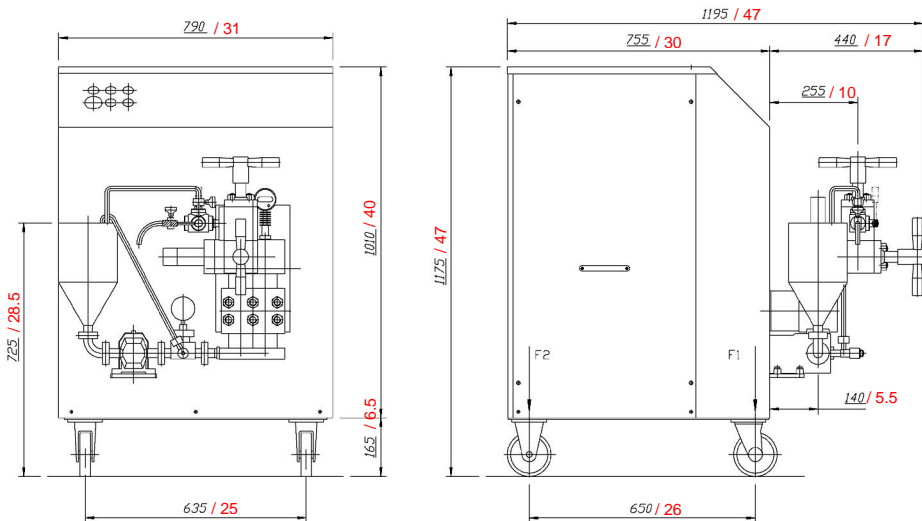
NS2006L Energy



- The NS2006L Pony is a pilot laboratory unit designed for continuous operation up to 1500 bar, suitable for micro-sizing tests on many different fluids.
- The NS2006L Pony's flexibility makes it a useful tool for many different sectors, such as the food, dairy, chemical, pharmaceutical and cosmetic industries.

Main Features:

- Compact design for easy installation, use and maintenance
- Suitable for viscous pumpable products
- Suitable for pharma applications
- Electropolished version (Ra 0,5 µm) available as option
- 3A execution, FDA approved gaskets, cGMP validation documentation available upon request
- Suitable for CIP/SIP



* dimension in millimeter

Performances

	100 bar	150 bar	200 bar	250 bar	400 bar	600 bar	1000 bar	1200 bar	1500 bar
Max Flow Rate (l/h)							80	80	35
							14,500 psi	17,400 psi	21,750 psi
Max Flow Rate (g/h)							21	21	9.2

Design Features and Materials

- Compression head ——— - special high grade duplex / super-duplex SS alloy
- Multi-Block VHP construction
- Pump Valves ——— - high wear resistant Stellite® alloy removable seats
- ball type (PVB in Stellite®)
- Pistons ——— - Solid ceramic
- Homogenizing Valve ——— - handwheel actuated
- wear parts made of Tungsten Carbide or Ceramics
- standard 2 stage homogenizing valve
- Pressure Gauge ——— - sanitary design analog high pressure gauge
- Product line connections ——— - Tri-Clamp®
- Power end ——— - rugged cast iron on power frame
- splash lubrication
- polished SS machine casing on galvanized steel frame
- Feeding System ——— - Built-in lobe type pump with Variable Speed Drive
- Bypass valve and pipe-work with 5L SS feeding funnel for product re-circulation
- Inlet pressure gauge.
- Electric Features ——— - in-built electric power board and operating panel

Technical Data

Number of plungers	2
Stroke	40 mm / 1.6 in
Motor power	4 kW / 5.4 hp
Weight	400 kg / 881 lbs
Water consumption.....	40 l/h / 10.57 g/h
Lubricating oil ISO VG 150.....	1,5 l / .396 g

* technical specifications are not mandatory and subject to change without notice